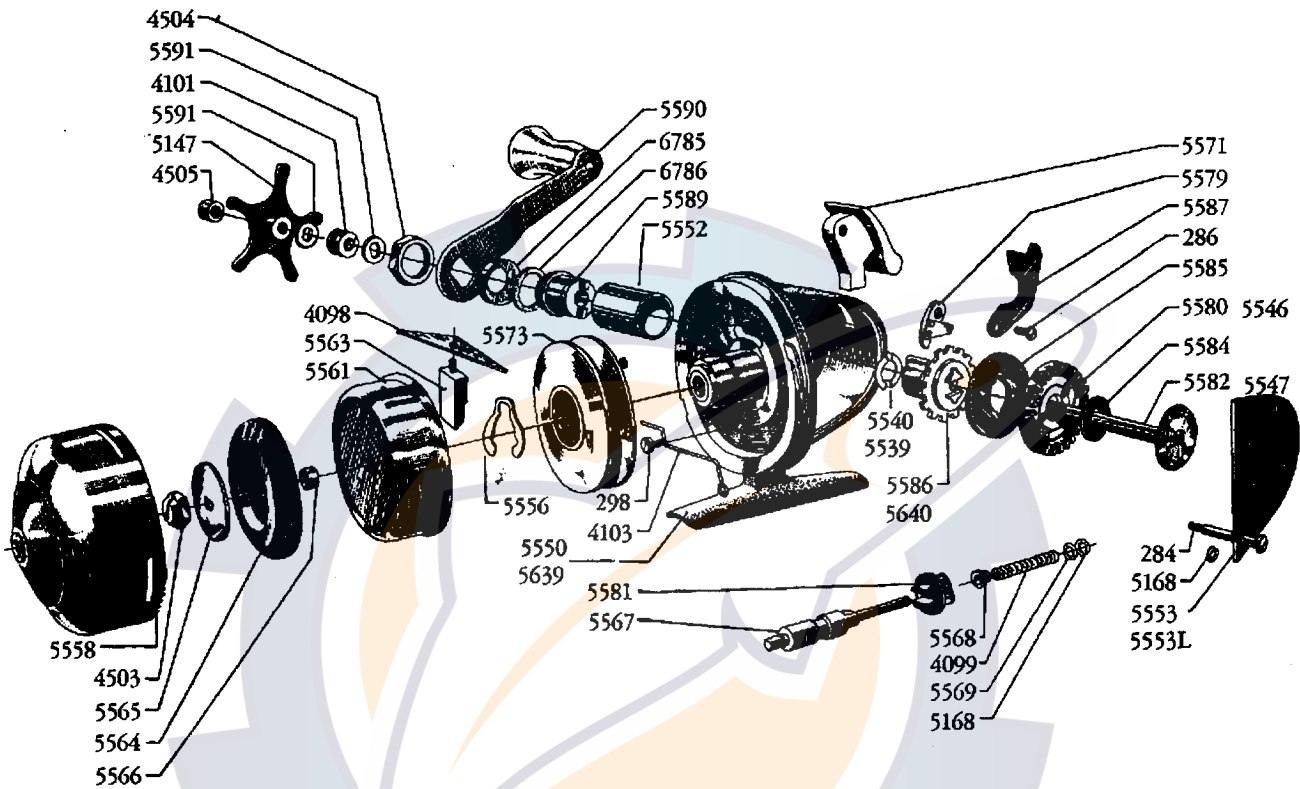




ABU-MATIC 40-41-60



Red items for left-hand reels only.

No.	Part Name	Price	No.	Part Name	Price	No.	Part Name	Price
284	Cover screw	.15	5547	Drive shaft with click plate (41)	1.25	5573	Spool with container	2.50
286	Lock-arm screw	.05	5550	Housing (40-60)	7.00	5579	Anti-reverse dog	.75
298	Bell cover lock spring screw	.05	5552	Oilite bushing	.50	5580	Main gear with click spring (40-60)	2.75
4098	Line pick-up spring	.10	5553	Cover plate (40-60)	1.00	5581	Pinion	1.00
4099	Main axle spring	.15	5553L	Cover plate (41)	1.00	5582	Drive shaft with click plate (40-60)	1.25
4101	Brake spring	.25	5556	Spool lock	.10	5584	Friction washer	.10
4103	Bell cover lock spring	.25	5558	Bell cover	3.50	5585	Fiber clutch disk	.50
4503	Winding cup lock nut (left-hand thread)	.20	5561	Winding cup	5.00	5586	Anti-reverse ratchet (40-60)	1.00
4504	Handle bearing lock nut	.25	5563	Line pick-up	2.00	5587	Lock-arm	.25
4505	Handle lock nut (left-hand thread)	.25	5564	Rubber cushion	.75	5589	Handle bearing	1.00
5147	Star wheel	1.50	5565	Rubber cushion plate	.15	5590	Handle, complete	1.75
5168	"C" lock	.05	5566	Spacer	.05	5591	Brake spring washer (set of 2)	.10
5539	Synchro-slide (41)	.25	5567	Main axle	2.00	5639	Housing (41)	7.00
5540	Synchro-slide (40-60)	.15	5568	Spring bushing	.25	5640	Anti-reverse ratchet (41)	1.00
5546	Main gear with click spring (41)	2.50	5569	Locking washer	.05	6785	Lock ring	.25
			5571	Release trigger	.75	6786	Felt ring	.10



THE GARCIA CORPORATION • ALFRED AVENUE • TEANECK • NEW JERSEY